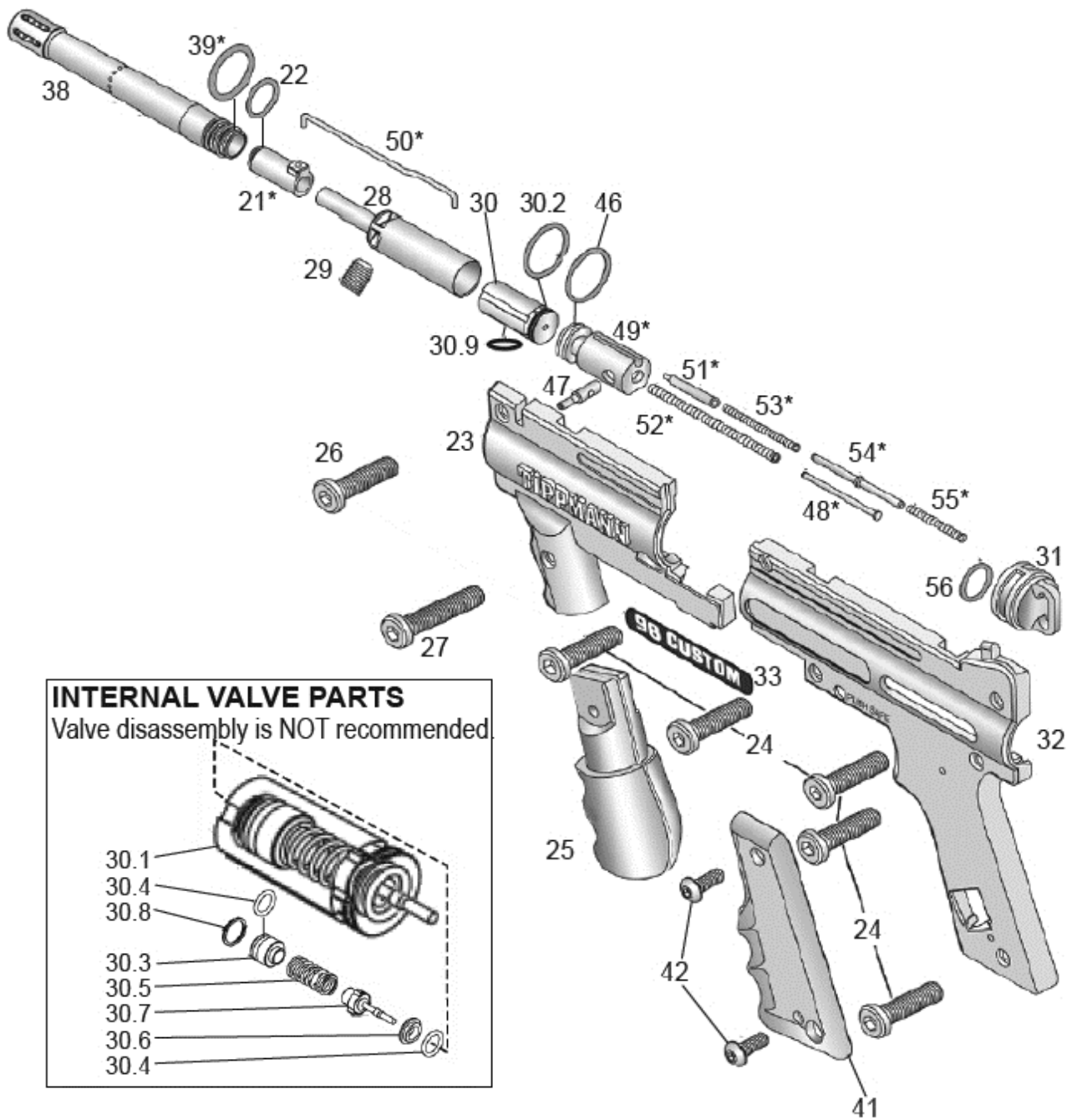


Parts List for 98 Custom Platinum Series with ACT

Item	Part No.	Quantity	Description
1	TA02075	1	Receiver, Right
2	9-PA	6	Nut, Hex
3	TA02060	1	Nut, Hex, 10-32 x 5/16
4	TA02076	4	Dowel Pin
5	CA-36	1	Dowel Pin, 1/8" x 5/8", Black
6	TA02078	2	Dowel Pin
7	02-35	1	Sear
8	TA02036	1	Spring, 0.595" FL x 0.189" OD (green)
9	98C-T	1	98C Trigger Assembly
9.1	98-36A	1	Trigger
9.2	98-18	1	Trigger Return Slide
9.3	98-19	2	Dowel Pin 0.125" x 0.250"
9.4	98-20	1	Spring, 0.425" FL x 0.180" OD (yellow)
10	98-20	1	Spring, 0.425" FL x 0.180" OD (yellow)
11	98-37N	1	98 Series Safety Assembly
11.1	TR02058	1	Safety Pin
11.2	98-55	1	O-Ring, BUNA, 70A, 2-006, Red
11.3	FA-07	1	O-Ring, BUNA, 70A, 2-006, Black
12	98-38	1	Trigger Guard
13	CA-08B	2	Nut, 10-32 Square MS
14	FA-18	1	Ball Latch
15	TA10053	1	O-Ring
16	CA-02B	3	Nut
17	TA02063	1	Nut, Gas Line
18	98-44	1	Front Sight Spring
19	TA02064	1	Front Sight
20	TA02065	1	Pin, Front Sight
21	02-17	1	Front Bolt
22	SL2-4	1	O-Ring, BUNA, 70A, 2-015
23	TA02073	1	Receiver, Left Front
24	98-01A	5	Screw, LSHCS, 10-32 x 0.675"
25	98-07	1	Front Grip
26	98-01A	1	Screw, LSHCS, 10-32 x 0.675"
27	98-01B	1	Screw, 1-32 x 1.125 LSHCS
28	TA02066	1	Power Tube
29	02-22	1	Set Screw, 5/16-24 x 7/16"
30	TA02022	1	Valve Assembly
30.1	TA02068	1	Valve Body
30.2	98-12A	1	O-Ring, CU, 90A, 2-019
30.3	98-56	1	Valve Plug
30.4	SL2-25	2	O-Ring, CU, 70A, 2-012
30.5	98-32	1	Spring, 0.983" FL x 0.404" OD

30.6	CA-27	1	Valve Seat
30.7	98-PL	1	Valve Plunger
30.8	PA-31A	1	Snap Ring, Internal
30.9	18-PA	1	O-Ring, Air Cylinder
31	TA02088	1	End Cap
32	TA02074	1	Receiver, Left Rear
33	TA02007	1	Name Plate
34	TA02037	1	Gas Line Assembly, 98C PS
35	TA02061	1	Air Supply Adapter
36	PL-01A	1	Screw, BHCS, 10-32 x 0.625"
37	98-06A	1	Screw, BHCS, 10-32 x 1.125"
38	TA02067	1	Barrel
39	98-40	1	O-Ring, 2-117
40	98-E	1	Feed Elbow Assembly
40.1	98-04	1	Feed Elbow
40.2	98-43	1	Feed Elbow Latch
40.3	TA05052	2	Screw, Phillips Panhead
40.4	TA02076	2	Dowel Pin, Knurled
40.5	PL-42C	1	Screw, SHCS 1/4-20 x 1.0"
40.6	98-45	1	Washer, M6
40.7	PL-42D	1	Nut, Square 1/4-20
41	TA05003	1	Receiver Grip, Left
42	CA-02A	7	Screw, BHCS
43	TA05004	1	Receiver Grip, Right
44	TA05021	2	Power Tube Plug
45	TA02069	1	Picatinny Rail
46	98-12A	1	O-Ring, CU, 90A, 2-019
47	98-13	1	Rear Bolt Handle
48	CA-15	1	Guide Pin, Flat Fillister Head
49	TA02018	1	ACT Rear Bolt
50	TA02015	1	ACT Linkage Arm
51	TA02016	1	ACT Spring Cup
52	TA02012	1	ACT Drive Spring
53	TA02014	1	ACT Spring, Upper Long
54	TA02017	1	Spring Pin
55	TA02013	1	ACT Spring, Upper Short
56	TA02020	1	ACT Buffer O-Ring
57	TA02142	2	Insert, Sear Pivot Pin (for serial numbers 1,876,101 and above)



WARNING

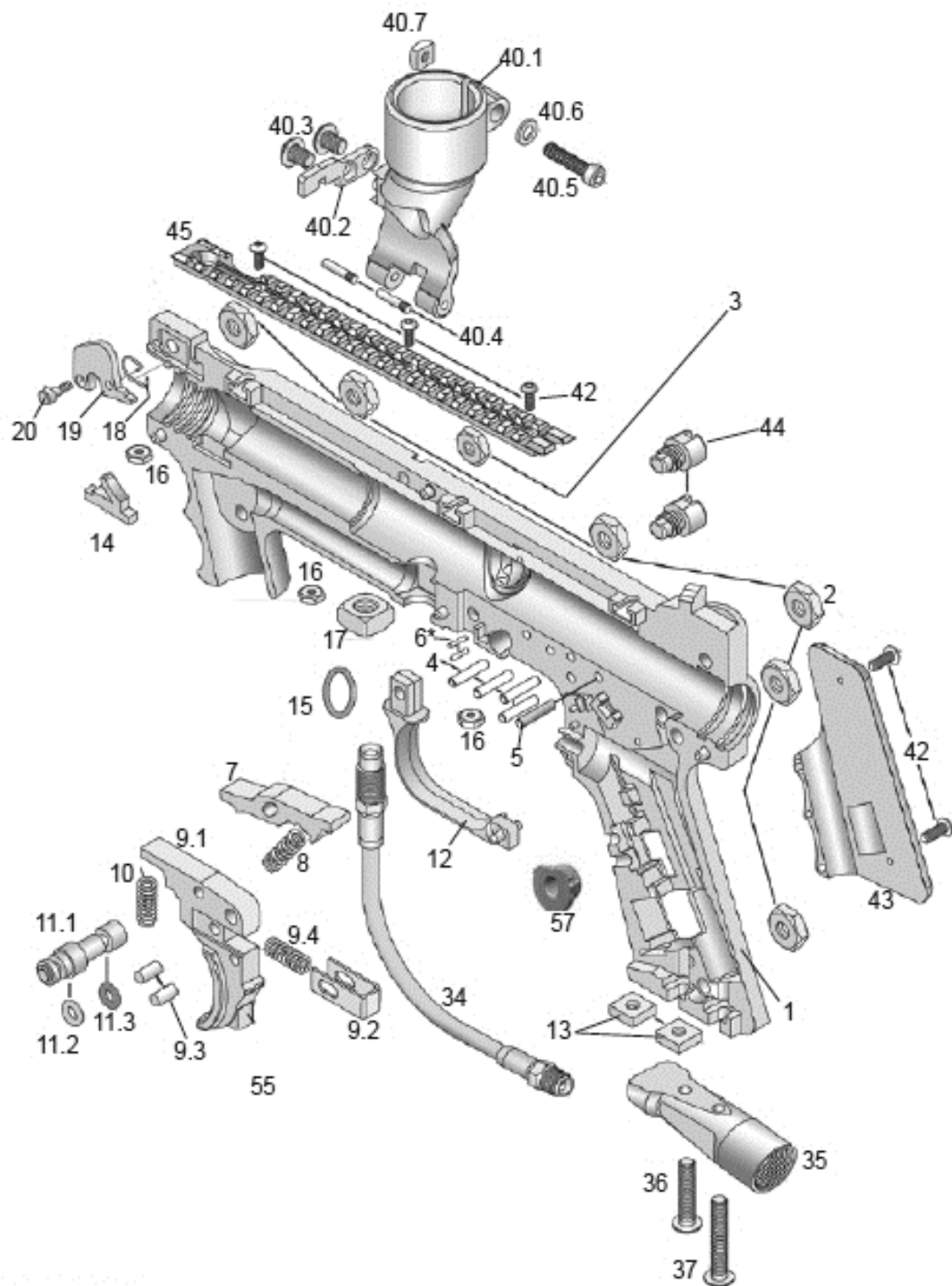
DO NOT DISASSEMBLE THIS MARKER WHILE IT IS PRESSURIZED WITH AIR.
DO NOT PRESSURIZE A PARTIALLY ASSEMBLED MARKER.

TIPPMANN®

1-800-533-4831

www.tippmann.com

* = lubricate with Tippmann Certified Marker Oil prior to reassembly, if needed.

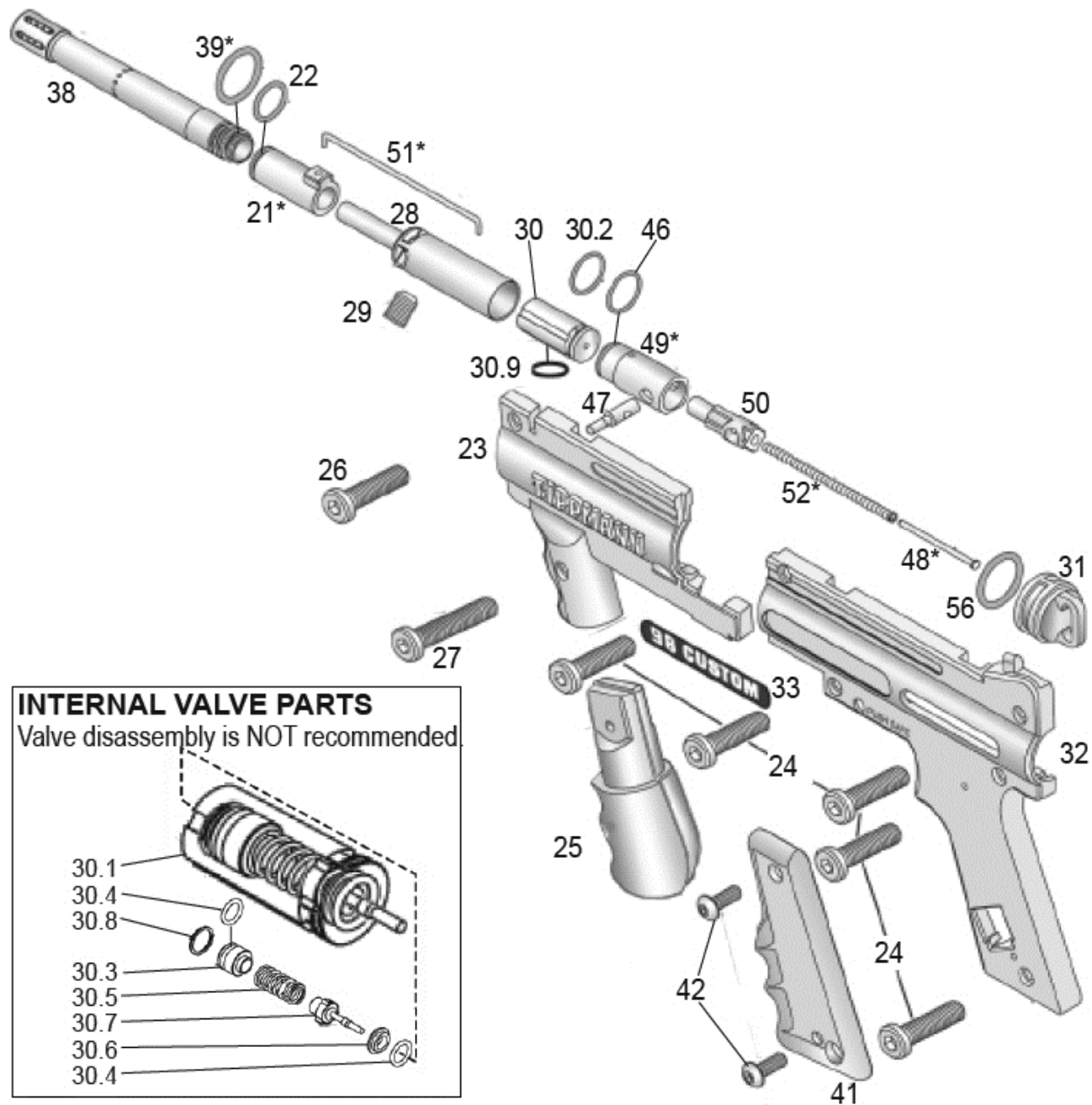


Parts List for 98 Custom Platinum Series without ACT

Item	Part No.	Quantity	Description
1	TA02075	1	Receiver, Right
2	9-PA	6	Nut, Hex
3	TA02060	1	Nut, Hex, 10-32 x 5/16
4	TA02076	4	Dowel Pin
5	CA-36	1	Dowel Pin, 1/8" x 5/8", Black
6	TA02078	2	Dowel Pin
7	02-35	1	Sear
8	TA02036	1	Spring, 0.595" FL x 0.189" OD (green)
9	98C-T	1	98C Trigger Assembly
9.1	98-36A	1	Trigger
9.2	98-18	1	Trigger Return Slide
9.3	98-19	2	Dowel Pin 0.125" x 0.250"
9.4	98-20	1	Spring, 0.425" FL x 0.180" OD (yellow)
10	98-20	1	Spring, 0.425" FL x 0.180" OD (yellow)
11	98-37N	1	98 Series Safety Assembly
11.1	TR02058	1	Safety Pin
11.2	98-55	1	O-Ring, BUNA, 70A, 2-006, Red
11.3	FA-07	1	O-Ring, BUNA, 70A, 2-006, Black
12	98-38	1	Trigger Guard
13	CA-08B	2	Nut, 10-32 Square MS
14	FA-18	1	Ball Latch
15	TA10053	1	O-Ring
16	CA-02B	3	Nut
17	TA02063	1	Nut, Gas Line
18	98-44	1	Front Sight Spring
19	TA02064	1	Front Sight
20	TA02065	1	Pin, Front Sight
21	02-17	1	Front Bolt
22	SL2-4	1	O-Ring, BUNA, 70A, 2-015
23	TA02073	1	Receiver, Left Front
24	98-01A	5	Screw, LSHCS, 10-32 x 0.675"
25	98-07	1	Front Grip
26	98-01A	1	Screw, LSHCS, 10-32 x 0.675"
27	98-01B	1	Screw, 1-32 x 1.125 LSHCS
28	TA02066	1	Power Tube
29	02-22	1	Set Screw, 5/16-24 x 7/16"
30	TA02022	1	Valve Assembly
30.1	TA02068	1	Valve Body
30.2	98-12A	1	O-Ring, CU, 90A, 2-019
30.3	98-56	1	Valve Plug
30.4	SL2-25	2	O-Ring, CU, 70A, 2-012
30.5	98-32	1	Spring, 0.983" FL x 0.404" OD
30.6	CA-27	1	Valve Seat
30.7	98-PL	1	Valve Plunger
30.8	PA-31A	1	Snap Ring, Internal

30.9	18-PA	1	O-Ring, Air Cylinder
31	TA02088	1	End Cap
32	TA02074	1	Receiver, Left Rear
33	TA02007	1	Name Plate
34	TA02037	1	Gas Line Assembly, 98C PS
35	TA02061	1	Air Supply Adapter
36	PL-01A	1	Screw, BHCS, 10-32 x 0.625"
37	98-06A	1	Screw, BHCS, 10-32 x 1.125"
38	TA02067	1	Barrel
39	98-40	1	O-Ring, 2-117
40	98-E	1	Feed Elbow Assembly
40.1	98-04	1	Feed Elbow
40.2	98-43	1	Feed Elbow Latch
40.3	TA05052	2	Screw, Phillips Panhead
40.4	TA02076	2	Dowel Pin, Knurled
40.5	PL-42C	1	Screw, SHCS 1/4-20 x 1.0"
40.6	98-45	1	Washer, M6
40.7	PL-42D	1	Nut, Square 1/4-20
41	TA05003	1	Receiver Grip, Left
42	CA-02A	7	Screw, BHCS
43	TA05004	1	Receiver Grip, Right
44	TA05021	2	Power Tube Plug
45	TA02069	1	Picatinny Rail
46	98-12A	1	O-Ring, CU, 90A, 2-019
47	98-13	1	Rear Bolt Handle
48	CA-15	1	Guide Pin, Flat Fillister Head
49	TA02011	1	Rear Bolt
50	TA05005	1	Rear Bolt Plug
51	TA01016	1	Linkage Arm
52	CA-14	1	Drive Spring
53	TA02142	2	Insert, Sear Pivot Pin (for serial numbers 1,876,101 and above)

* = lubricate with Tippmann Certified Marker Oil prior to reassembly, if needed.



INTERNAL VALVE PARTS

Valve disassembly is NOT recommended.

- 30.1
- 30.4
- 30.8
- 30.3
- 30.5
- 30.7
- 30.6
- 30.4

⚠ WARNING

DO NOT DISASSEMBLE THIS MARKER WHILE IT IS PRESSURIZED WITH AIR. DO NOT PRESSURIZE A PARTIALLY ASSEMBLED MARKER.

* = lubricate with Tippmann Certified Marker Oil prior to reassembly, if needed.

TIPPMANN®

1-800-533-4831

www.tippmann.com

