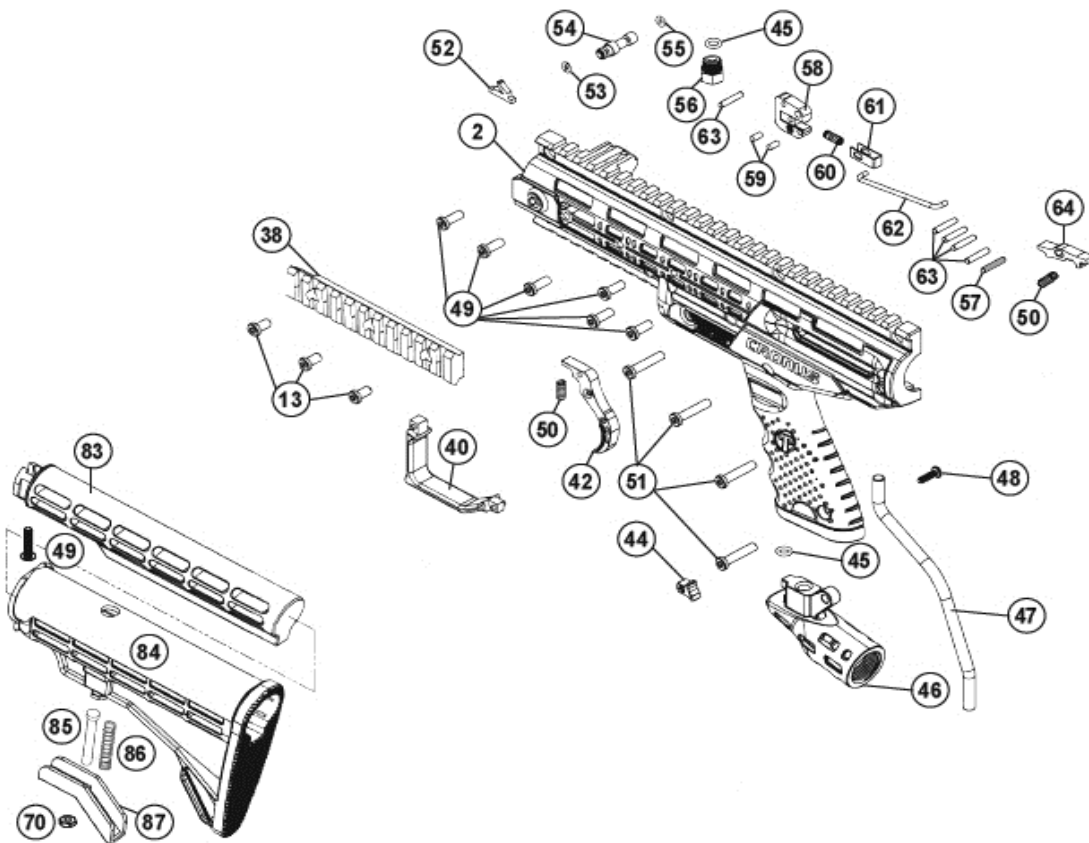
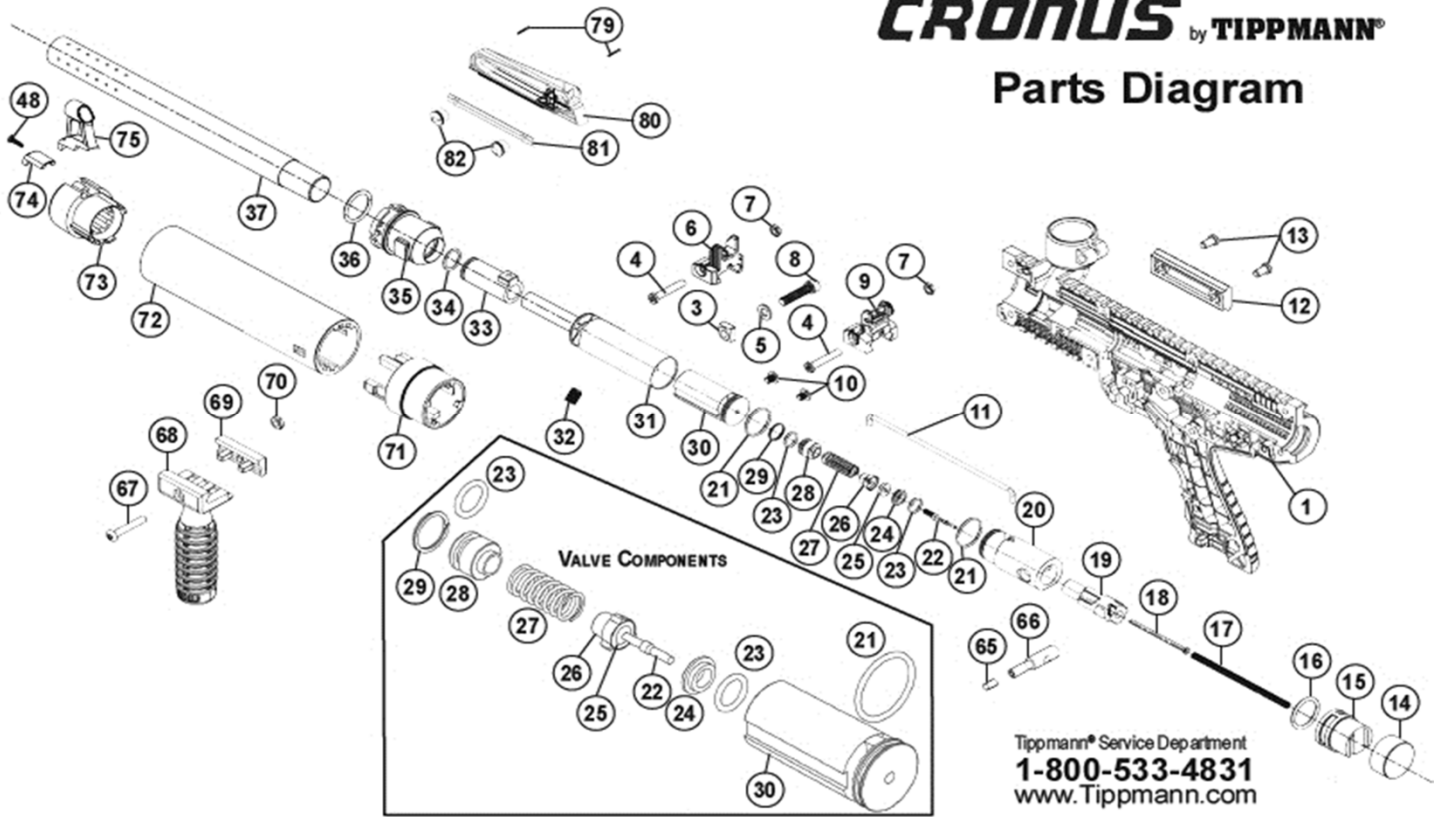


CRONUS by TIPPMANN®

Parts Diagram



Cronus Parts List

Item	Part Number	Description	Price	Item	Part Number	Description	Price
1	TA41002	Receiver - Right Side		48	TA09920	Screw, #6 x .5 Plastite	
2	TA41001	Receiver - Left Side		49	TA09919	Screw, 10-32 x 1/2" LSHCS	
3	PL-42D	Nut, 1/4x20, Square, Black		50	TA40013	Spring, Sear and Trigger	
4	TA07065	Screw, 10-32 x 1" LSHCS		51	TA41024	Screw, 10-32 x 22.8mm LSHCS	
5	98-45	Washer, M6, Flat, Black		52	FA-18	Ball Latch	
6	TA41008	Front Sight		53	98-55	O-Ring, Safety, Red	
7	TA02060	Hex Nut, 10-32 x 5/16"		54	TR02058	Safety Pin	
8	PL-42C	Screw, 1/4-20 x 1" SHCS		55	FA-07	O-Ring, Safety, Black	
9	TA41007	Rear Sight		56	TA40018	Gas Line Joint	
10	98-26	Screw, 10-32 x 1/4" BHCS		57	CA-36	Sear Pin, Black	
11	TA01016	Linkage Arm		58	TA40011	Trigger Adapter	
12	TA41004	Picatinny Rail, Short, Right		59	98-19	Pin, Return Slide	
13	TA41018	1/8 Socket Self Tapping Screw		60	98-20	Spring (yellow)	
14	TA06017	End Cap Cover		61	98-18	Trigger Return Slide	
15	TA06006	End Cap		62	TA41014	Trigger Linkage Arm	
16	98-40	O-Ring, Bumper		63	98-33	Pin, Receiver	
17	CA-14	Drive Spring		64	02-35	Sear	
18	CA-15	Guide Pin		65		Rubber cover for cocking handle (shipping only)	
19	TA05005	Rear Bolt Plug		66	98-13	Rear Bolt Handle	
20	TA02011	Rear Bolt			TA06214	Foregrip Assembly	
21	98-12A	O-Ring, Valve and Rear Bolt		67	TA06048	Screw, 10-32 x 1.1875"	
22	CA-30N	Valve Stem		68	TA41029	Foregrip	
23	SL2-25	O-Ring, C.U., 70A, 2-012		69	TA41019	Foregrip Clamp Plate	
24	CA-27	Front Valve Seat		70	T0-032	Nut	
25	PA-28	Valve Stem Cup Seal			TA41200	Silencer Assembly	
26	CA-29	Valve Stem Cup		71	TA41021	Silencer Rear Adapter, Black	
27	98-32	Spring		72	TA41020	Silencer Tube, Tan	
28	98-56	Valve Plug		73	TA41022	Silencer Front Adapter, Black	
29	PA-31A	Snap Ring		74	TA41023	Silencer Blank Insert, Black	
30	98-25N	Valve Body		75	TA41030	Silencer Front Sight	
31	98-21N	Power Tube		76		not used	
32	T4-053	Velocity Screw, 5/16-24 x 7/16"		77		not used	
33	02-17	Front Bolt		78		not used	
34	SL2-4	O-Ring, Front Bolt			TA06212	Carry Handle Assembly	
35	TA41005	Barrel Adapter		79	TA06076	Screw, 10-32 x 1.5"	
36	98-40	O-Ring, Barrel		80	TA41026	Carry Handle, Tan	
37	TA41006	Barrel		81	TA41025	Carry Handle Clamp, Tan	
38	TA41003	Picatinny Rail, Long, Right		82	TA06074	Locking Cap	
40	TA41010	Trigger Guard			TA06213	Collapsible Stock	
42	TA41009	Trigger		83	T16-033	Stock Frame	
44	TA41017	Double Guard Blanking Plug		84	TA41027	Stock Slide	
45	TA40017	O-Ring, Gas Line		85	T16-036	Latch Bolt	
46	TA41013	Air Supply Adapter (ASA)		86	T16-035	Latch Spring	
47	TA41015	Gas Line		87	TA41028	Latch Release Lever	