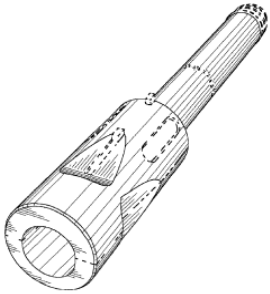
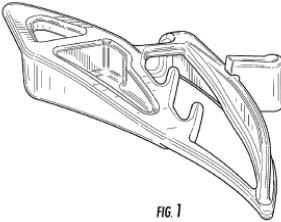
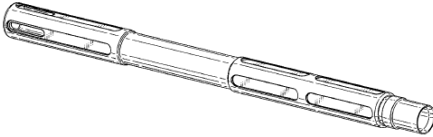


ACCESSORIES PARTS AND UPGRADES		
Item(s) Nos.	Item(s)	Patents
11545*	APEX® 2 Barrel System	APEX® barrel system covered by US PATENT NO. 7275531 For use under US PATENT NO. 7699048* *Barrel system only
17111*		
17113*		
52200		
52201		
52202		
52203		
52204		
52205		
52206		
17023*	APEX® Barrel System (original design)	APEX® barrel system covered by US PATENT NOS. 7275531; D561293* For use under US PATENT NO. 7699048* *Barrel system only
17051*		
50000		
50001		
50303		
51999*		
52011		
52013		

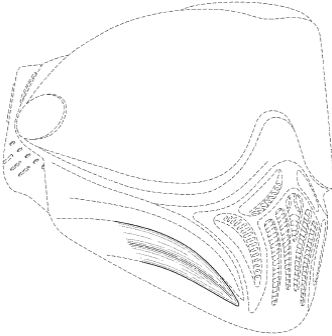
ACCESSORIES PARTS AND UPGRADES		
Item(s) Nos.	Item(s)	Patents
52015 52023		<p>U.S. Patent Feb. 5, 2008 Sheet 1 of 4 US D561,293 S</p>  <p>FIG. 1</p>
38824 38876 38871	EMPIRE® HALO® Drive Cone and Drive Cone Kits	Drive Cone for use under US PATENT NOS. RE45986; 8047191; 8387607
38936	EMPIRE® FREEWAY™ Anti-Jam	US PATENT NO. D604371

ACCESSORIES PARTS AND UPGRADES		
Item(s) Nos.	Item(s)	Patents
		 <p>FIG. 1</p>
16900	EMPIRE® AXE REDLINE™ Board and Foregrip	For use under US PATENT NOS. 6601780; 6925997
38946	Empire® Halo® Too Rip Drive® Kit	For use under US PATENT NO. 8387607
38925*	EMPIRE® MAGNA CLUTCH® Upgrade Kit	EMPIRE® MAGNA CLUTCH® Upgrade Kit for use under US PATENT NOS. RE45986; 7428899; 7921835; 8047191; 8387607
36005	EMPIRE® PROPHECY® LTD Upgrade Kit	For use under US PATENT NOS. 8251050
38929	Empire® RF Loader Board Kit	For use under the following US patents: PATENT NOS. 7921835; 8448631
38926	EMPIRE® RF Transmitter Link Kit	For use under the following US patents: PATENT NOS. 7921835; 8448631

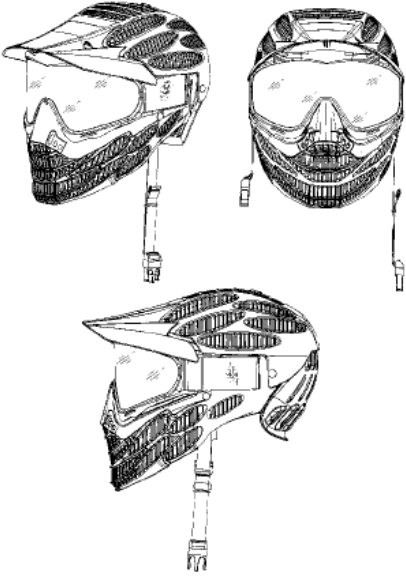
ACCESSORIES PARTS AND UPGRADES		
Item(s) Nos.	Item(s)	Patents
38920	Empire® Z2 RF Transmitter Link Kit	FOR USE UNDER: 7921835; 8448631
38921	EMPIRE® Z2 Transmitter Harness	FOR USE UNDER: 7921835; 8448631
16661*	GORILLA GRIP™ Feed Neck	US PATENT NOS. 7229105*; 7316431* *Feed Neck only
38875	HALO® RIP DRIVE® Drive Assist Kit	For use under US PATENT NO. 8047191; 8387607
43305	JT® TACTICAL® Barrel	US PATENT NO. D559923* *Barrel only 
11545* 11530 11531 11516 11515 11540	SUPER FREAK® Barrel Kit	Barrel kits barrel portions and barrel inserts for use under the following US patents: 6494195; 6823857; 7691759 *For APEX® 2 barrel systems and component parts: APEX® barrel system covered by US PATENT NO. 7275531; For use under US PATENT NO. 7699048 **Barrel system only

ACCESSORIES PARTS AND UPGRADES		
Item(s) Nos.	Item(s)	Patents
11541 16854**		

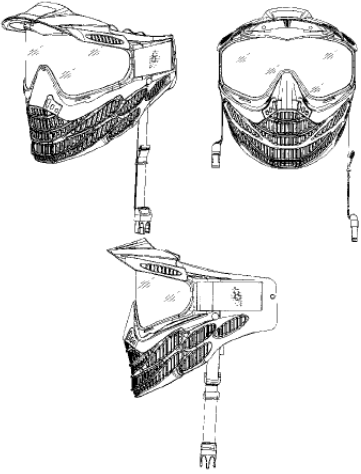
FACEMASKS AND GOGGLE SYSTEMS

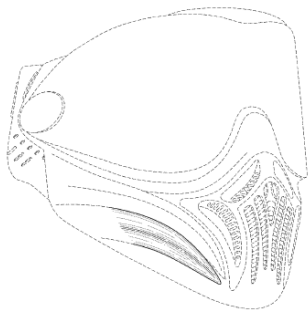
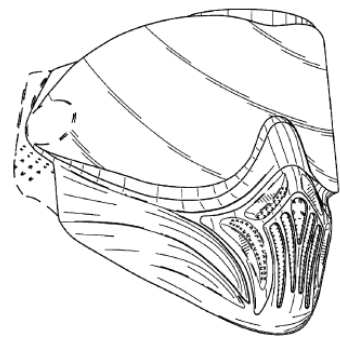
Item(s) No.(s)	Item(s)	Patent(s)
21710 21712 21713 21715	AVATAR Goggles	US PATENT NOS. 8011026; 8549672 D703388  <p align="center">FIG. 1</p>
23012 23020	EMPIRE® FLEX-8 FULL COVERAGE THERMAL Goggle	US PATENT NO. D527847

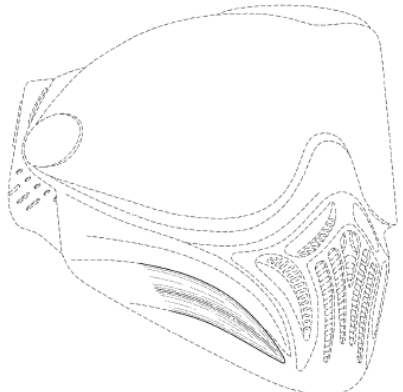
FACEMASKS AND GOGGLE SYSTEMS

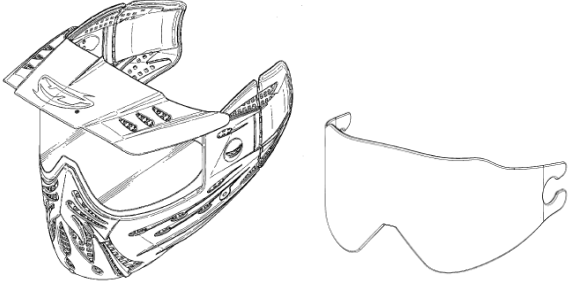
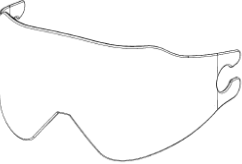
Item(s) No.(s)	Item(s)	Patent(s)
		
23011 23013 23019	EMPIRE® FLEX-8 Goggle	US PATENT NO. D529662

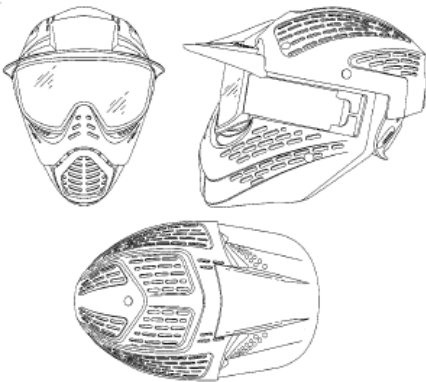
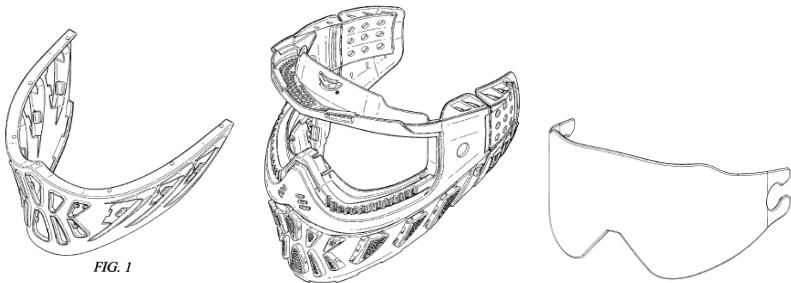
FACEMASKS AND GOGGLE SYSTEMS

Item(s) No.(s)	Item(s)	Patent(s)
		
21630 21631 21632 21633 21634 21635 21627 21628 21629	EMPIRE® E-FLEX™ Goggle System	US PATENT NO. 8011026; 8549672
21610 21611	EMPIRE® E-VENT SN Goggle	US PATENT NO. 8011026; 8549672

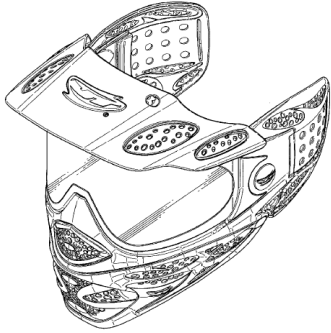
FACEMASKS AND GOGGLE SYSTEMS		
Item(s) No.(s)	Item(s)	Patent(s)
21612 21613 21614		D703388 
21850 21851 21852	EMPIRE® HELIX® Goggles	US PATENT NOS. 8011026; 8549672 D589211  FIG. 1

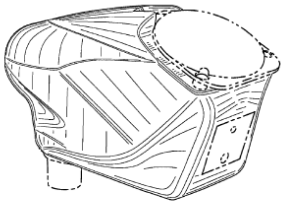
FACEMASKS AND GOGGLE SYSTEMS		
Item(s) No.(s)	Item(s)	Patent(s)
		<p>D703388</p>  <p>FIG.1</p>
23028	JT® CARNIVORE Goggle	US PATENT NOS. D571050; D548251; 7681257

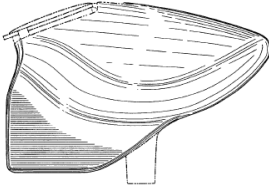
FACEMASKS AND GOGGLE SYSTEMS		
Item(s) No.(s)	Item(s)	Patent(s)
		
23033	JT® CARNIVORE “FULL COVERAGE” Goggle	US PATENT NOS. D548251; 7681257 
23069	JT® HEADSHIELD “ELITE” Goggle	US PATENT NO. D536833

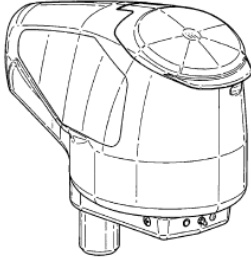
FACEMASKS AND GOGGLE SYSTEMS		
Item(s) No.(s)	Item(s)	Patent(s)
		
23029 23030 23034	JT® REAPER Goggle	US PATENT NOS. D570550; D570551; D548251; 7681257  <p style="text-align: center;"><i>FIG. 1</i></p>
23044 23045	JT® STATUS THERMAL Goggle	US PATENT NO. D570552

FACEMASKS AND GOGGLE SYSTEMS

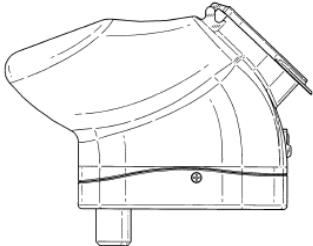
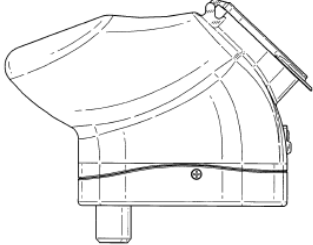
Item(s) No.(s)	Item(s)	Patent(s)
		

LOADERS/HOPPERS		
Item(s) No.(s)	Item(s)	Patent(s)
52100 52101 52102 52038 52068	EMPIRE® BT® RIP CLIP paintball loader <i>with RIP DRIVE</i>	PATENT NOS. US ; RE45986; 8047191; 8387607
38576 38579 38582 38588	EMPIRE® HALO® TOO™ paintball loader	US PATENT NOS. 8387607
38520 38521 38522	EMPIRE® MAGNA DRIVE® paintball loader <i>with RIP DRIVE® Drive Assist</i>	PATENT NOS. US RE45986; 7428899; 7832389; 8047191; 8387607 US DESIGN PATENT NOS. D584776; D602537  FIG. 1
38536	EMPIRE® PROPHECY® LTD paintball loader	PATENT NOS. US 7428899; 7770569; 7832389; 8047191; 8251050; 8387607; 8746225; 10024624

LOADERS/HOPPERS		
Item(s) No.(s)	Item(s)	Patent(s)
		<i>Loader covered by or for use under: US PATENT NO. 9464862; 10502521</i>
38540 38544 38541 38542 38543 38545 38546 38547	EMPIRE® PROPHECY® paintball loader	PATENT NOS. US 7428899; 7832389; 8047191; 8251050; 8387607; 8746225; 10024624 <i>Loader covered by or for use under: US PATENT NO. 9464862; 10502521</i>
38503 38504 38505	EMPIRE® RELOADER 2 paintball loader	US PATENT NOS. D544047 
38509	EMPIRE® RELOADER B	PATENT NOS. US RE45986; 8047191; 8387607
38585 38589	EMPIRE® SCION™ paintball loader	PATENT NOS. 8047191; 8104462; 8387607; 8746225; 10024624

LOADERS/HOPPERS		
Item(s) No.(s)	Item(s)	Patent(s)
		<i>Loader covered by or for use under:</i> US PATENT NO. 9464862; 10502521
30671 30672	EMPIRE® VLOCITY® Jr. paintball loader	US PATENT NOS. 7854220
30664 30667	EMPIRE® VLOCITY® paintball loader	US PATENT NOS. 7854220; D572318  <i>FIG. 1</i>
38580 38581 38587	EMPIRE® PROPHECY® Z2™ paintball loader	PATENT NOS. US 8047191; 8104462; 8387607; 8746225; 10024624 <i>Loader covered by or for use under:</i> US PATENT NO. 9464862; 10502521 <i>For use under:</i> 7921835; 8448631
38557 38558	HALO® B/HALO® V35 paintball loader <i>with RIP DRIVE® Drive Assist</i>	PATENT NOS. US RE45986; 8047191; 8387607

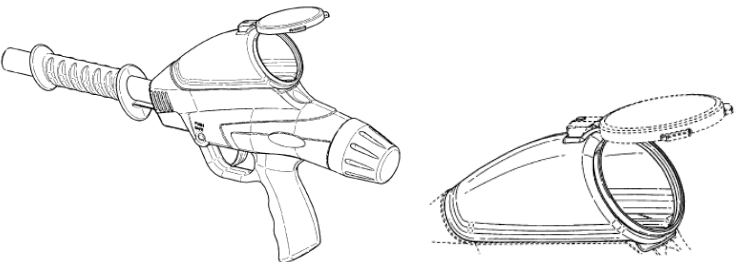
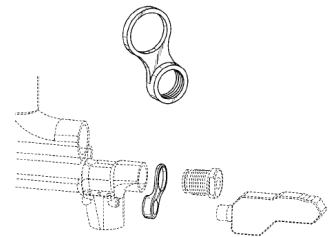
LOADERS/HOPPERS		
Item(s) No.(s)	Item(s)	Patent(s)
38559 38560 38561 38568 38569		
38551 38555	HALO® B/V35 paintball loader (without RIP DRIVE®)	PATENT NOS. U.S. RE45986
30679 30680	JT® VL® eVlution® III paintball loader	US PATENT NOS. 7021302; 7357129
30684 30677	JT® VL® EYE FORCE™ paintball loader	US PATENT NOS. D567303

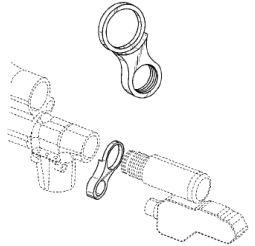
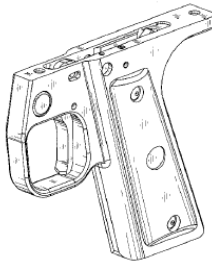
LOADERS/HOPPERS		
Item(s) No.(s)	Item(s)	Patent(s)
		 <p>FIG. 4</p>
30695	JT® VL® REVLUTION FORCE™ paintball loader	US PATENT NO. 7021302; 7357129; D567303  <p>FIG. 4</p>

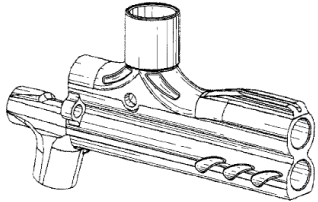
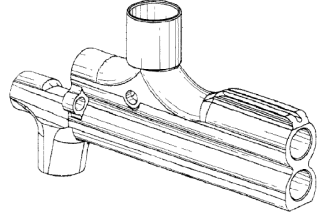
PAINTBALL MARKERS		
Item(s) No.(s)	Item(s)	Patent(s)
17095 17096 17097 17099 17100 17102 17103 17104 17105	EMPIRE® BT® TM-15™ paintball marker	US PATENT NOS. 6601780; 6925997; 8272373; 8336532
17060 17066 17067 17080	EMPIRE® BT® TM-7™ paintball marker	US PATENT NOS. 6601780; 6925997; 8272373; 8336532
17020	EMPIRE® BT®-4 COMBAT paintball marker	U.S. PATENT NO. D587766
17120	EMPIRE® BT®-4 SLICE COMBAT paintball marker	U.S. PATENT NOS. 8950387; 9518799; D587766
17125	EMPIRE® BT®-4 SLICE G36 paintball marker	U.S. PATENT NOS. 8950387; 9518799; D587766
17126	EMPIRE® BT®-4 Slice G36 Elite	U.S. PATENT NO. 8950387; 9518799

PAINTBALL MARKERS		
Item(s) No.(s)	Item(s)	Patent(s)
		<p><i>APEX® 2 barrel system covered by or for use under. US PATENT NOS. 7699048; 7275531</i></p> <p><i>BT® RIP CLIP™ paintball loader covered by: PATENT NOS. U.S. RE45986; 8047191; 8387607</i></p>
16800 16801 16802 16804 16805 16806 16853	EMPIRE® AXE® paintball marker	US PATENT NOS. 6601780; 6925997; 8272373; 8336532; 9476669; 10024626
17400 17401 17402 17403 17479 17480 17481 17482 17484	EMPIRE® MINI® paintball marker	US PATENT NOS. 6601780; 6925997; 8272373; 8336532; 9476669; 10024626

PAINTBALL MARKERS		
Item(s) No.(s)	Item(s)	Patent(s)
17485 17486 17487 17488 17489 17490 17495		
16820 16821	EMPIRE® TEAM AXE® paintball marker w/REDLINE™ Foregrip	US PATENT NOS. 6601780; 6925997; 8272373; 8336532; 9476669; 10024626
82050 82054 82000 82002	JT SPLATMASTER® Z-100	US PATENT NO. 7975683
85062 85060 82010 82011	JT SPLATMASTER® Z-200	US PATENT NO. 7975683
82020	JT SPLATMASTER® Z-300 Sniper	US PATENT NO. 7975683
82009	JT SPLATMASTER® Z-90	US PATENT NO. 7975683
16639	RAPTOR PUMP paintball marker	US PATENT NOS. 7426927; D536398

PAINTBALL MARKERS		
Item(s) No.(s)	Item(s)	Patent(s)
16660		<p><i>*Hopper portion of marker also covered by D535339</i></p> 
13052*	TRILOGY™ Block Adapter	<p>US PATENT NO. D520080*</p> <p><i>*Block adaptor only</i></p> 
13052*	TRILOGY™ Mounting Block	<p>US PATENT NO. D518118*</p> <p><i>*Mounting block only</i></p>

PAINTBALL MARKERS		
Item(s) No.(s)	Item(s)	Patent(s)
		
13051	TRILOGY™ paintball marker	US PATENT NO. D512109
13051*	TRILOGY™ Paintball Marker Grip Frame	US PATENT NO. D512109* *Grip frame only
		
13052*	TRILOGY™ PRO Receiver Body	US PATENT NO. D512750* *Receiver body only

PAINTBALL MARKERS		
Item(s) No.(s)	Item(s)	Patent(s)
		
13052	TRILOGY™ PRO™ paintball marker	US PATENT NOS. D513773
13051*	TRILOGY™ SPORT Receiver Body	D515150* <i>*Receiver body only</i> 
13051	TRILOGY™ SPORT™ paintball marker	US PATENT NO. D515149; D515550
16626	T-STORM™ paintball marker	US PATENT NO. 5634456; D594914
16950 16951 16952 16953	EMPIRE® VANQUISH®	US PATENT NOS. 8191543; 8272373; 8336532; 9476669; 9746279; 9476669; 9903683; 10024626; 10323901

PAINTBALL MARKERS		
Item(s) No.(s)	Item(s)	Patent(s)
16954 16955 16956		
17130 17131 17132 17133	EMPIRE® D*FENDER® Marker	<p><i>Marker covered by or for use under: US PATENT NOS. 6601780; 6925997; 8272373; 8336532; 8047191; 8104462; 8746225; 9658027</i></p> <p><i>Loader covered by or for use under: US PATENT NOS. 9464862; 10502521</i></p> <p><i>When sold with APEX® 2 barrel system barrel system covered by or for use under: US PATENT NOS. 7699048; 7275531</i></p> <p><i>When sold with SUPER FREAK™ barrel system barrel system covered by or for use under: 6494195; 6823857; 7691759</i></p>
58500 58501 58502 58503 58504 58505 58506 58507 58508 58509	JT® IMPULSE® Marker	US PATENT NOS. 7610908
94708 94811	SPYDER® XTRA	US PATENT NOS. D593621; 8286622

PAINTBALL MARKERS		
Item(s) No.(s)	Item(s)	Patent(s)
94714	SPYDER® MR5	US PATENT NO. 8286622
15206	SPYDER® MR6	US PATENT NOS. 8286622; 8418682
15204 15205 94712 94713 94716 94717	SPYDER® MR100	US PATENT NO. 8286622
15158 15159 94701 94702 94703 94704 94705 94706	SPYDER® FENIX	US PATENT NO. 8286622
15156 15157 94715 94812	SPYDER® VICTOR	US PATENT NO. 8286622
15206 94710	SPYDER® MRX	US PATENT NO. 8286622

PAINTBALL MARKERS		
Item(s) No.(s)	Item(s)	Patent(s)
15207	SPYDER® EMR5	US PATENT NO. 8286622
94802	SPYDER® OPUS	US PATENT NO. 8286622
94803	SPYDER® OPUS A	
94805	SPYDER® STORMER	US PATENT NO. 8286622